

Felt

Berthe

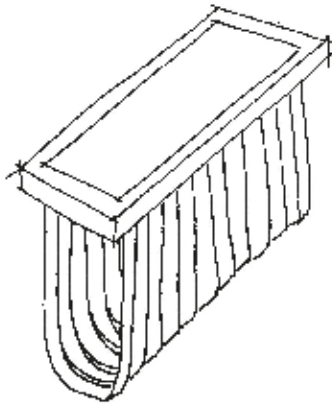
“Berthe” shelf has a lacquered black or natural base. Storage made of bands of cutout strips of felt 3mm (0.12”) thick.

Available in 3 sizes : 18 cm x 18 cm (7.09” x 7.09”), 18 cm x 25 cm (7.09” x 9.84”) and 18 cm x 40 cm (7.09” x 1’ 3.75”).

Available in all the range of colors.

French design.

Made to order.



Design Claire Ducasse et Julia Mabile



METYLOS